

Features

- 4:1 Wide Input Range
- Quarter Brick
- Approved to UKCA, CE, RoHS & REACH
- IEC/EN/UL 62368-1 & EN 50155 Safety Approved
- Efficiency up to 89% Single Output 5V DC
- Single output 5~48V DC



Image for Illustration Purpose
Models may vary

Ideal Power's 28SQBSxxxxx-xxx-x 100W Quarter Brick DC/DC Converters Series are certified to UKCA, CE, RoHS, REACH & EN 62368-1/IEC 62368-1/UL 62368-1/EN 50155 Standards and comply with Efficiency Regulations. These are primarily used in ITE, Audio & Video, Railway Industries and customised solutions are available upon request.

Part Number Structure

28SQBS - 110 120 - S - P - B 100

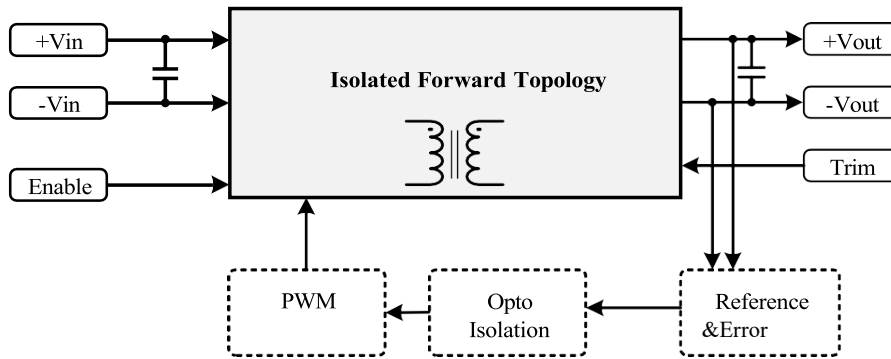
Series Name	Input Voltage (VDC)	Output Voltage (VDC)	Pin Out	Remote On/Off Options	Shape	W
Supreme Series	024W: 9-36	050 : 5	S: Dosa	N: Negative logic.	B: Base Plate	50
Quarter Brick	024: 18-36	120: 12	V: Victor	P: Positive logic.	F: No Flange	100
Second	048W: 18-75	240: 24				
	110: 40-180	280: 28				
	300: 180-425	480: 48				

Models

Model	Input		Current (A) Full load	Voltage (V)	Output		Efficiency Typ.(%)
	Voltage (V) Range	Nominal			Current (A)	Power (W)	
28SQBS024W050-□-□-□50	9-36	24	2.37	5	10	50	88
28SQBS024W120-□-□-□50	9-36	24	2.34	12	4.17	50	89
28SQBS024W240-□-□-□50	9-36	24	2.34	24	2.08	50	89
28SQBS024W280-□-□-□50	9-36	24	2.34	28	1.79	50	89
28SQBS024W480-□-□-□50	9-36	24	2.34	48	1.04	50	89
28SQBS024W120-□-□-□100	9-36	24	4.68	12	8.4	100	89
28SQBS024W240-□-□-□100	9-36	24	4.68	24	4.17	100	89
28SQBS024W280-□-□-□100	9-36	24	4.68	28	3.57	100	89
28SQBS024W480-□-□-□100	9-36	24	4.68	48	2.08	100	89
28SQBS048W050-□-□-□50	18-75	48	1.18	5	10	50	88
28SQBS048W120-□-□-□50	18-75	48	1.17	12	4.17	50	89
28SQBS048W240-□-□-□50	18-75	48	1.17	24	2.08	50	89
28SQBS048W280-□-□-□50	18-75	48	1.17	28	1.79	50	89
28SQBS048W480-□-□-□50	18-75	48	1.17	48	1.04	50	89
28SQBS048W120-□-□-□100	18-75	48	2.34	12	8.4	100	89
28SQBS048W240-□-□-□100	18-75	48	2.34	24	4.17	100	89
28SQBS048W280-□-□-□100	18-75	48	2.34	28	3.57	100	89
28SQBS048W480-□-□-□100	18-75	48	2.34	48	2.08	100	89
28SQBS110050-□-□-□50	40-180	110	0.52	5	10	50	88
28SQBS110120-□-□-□50	40-180	110	0.51	12	4.17	50	89
28SQBS110240-□-□-□50	40-180	110	0.51	24	2.08	50	89
28SQBS110280-□-□-□50	40-180	110	0.51	28	1.79	50	89
28SQBS110480-□-□-□50	40-180	110	0.51	48	1.04	50	89
28SQBS110120-□-□-□100	40-180	110	1.02	12	8.4	100	9
28UKCSQBS110240-□-□-□100	40-180	110	1.02	24	4.17	100	89
28SQBS110280-□-□-□100	40-180	110	1.02	28	3.57	100	89
28SQBS110480-□-□-□100	40-180	110	1.02	48	2.08	100	89
28SQBS300050-□-□-□50	180-425	300	0.19	5	10	50	88
28SQBS300120-□-□-□50	180-425	300	0.19	12	4.17	50	89
28SQBS300240-□-□-□50	180-425	300	0.19	24	2.08	50	89
28SQBS300280-□-□-□50	180-425	300	0.19	28	1.79	50	89
28SQBS300480-□-□-□50	180-425	300	0.19	48	1.04	50	89
28SQBS300120-□-□-□100	180-425	300	0.37	12	8.4	100	89
28SQBS300240-□-□-□100	180-425	300	0.37	24	4.17	100	89
28SQBS300280-□-□-□100	180-425	300	0.37	28	3.57	100	89
28SQBS300480-□-□-□100	180-425	300	0.37	48	2.08	100	89

Description

Supreme series - Quarter Brick converter is composed of Isolated, board-mountable, fixed switching frequency DC-DC converters that use synchronous rectification to achieve extremely high-power conversion efficiency. These DC-DC converter modules use advanced power processing, control, and packaging technologies to enhance the performance, flexibility, reliability, and cost effectiveness of mature power components. Each module is six-sided metal case enclosed to provide protection from the harsh environments seen in many industrial and transportation applications.


Input Data

Parameter	Notes and Conditions	Min.	Typ.	Max.	Unit	
Transient Input Voltage Ranges	28SQBS024W models (100ms Max)	--	--	50	VDC	
	28SQBS048W models (100ms Max)	--	--	80		
	28SQBS110 models (100ms Max)	--	--	250		
	28SQBS300 models (100ms Max)	--	--	500		
Operating Input Voltage Ranges	28SQBS024W models	9	24	36	VDC	
	28SQBS048W models	18	48	75		
	28SQBS110 models	40	110	180		
	28SQBS300 models	180	300	425		
Under-Voltage Lockout Start-up Voltage	28SQBS024W models	--	--	9	VDC	
	28SQBS048W models	--	--	18		
	28SQBS110 models	--	--	40		
	28SQBS300 models	--	--	180		
Under-Voltage Lockout Shutdown Voltage	28SQBS024W models	--	8	--	VDC	
	28SQBS048W models	--	17	--		
	28SQBS110 models	--	38	--		
	28SQBS300 models	--	145	--		
Over-Voltage Lockout Turn OFF Threshold	28SQBS024W models	--	--	50	VDC	
	28SQBS048W models	--	--	80		
	28SQBS110 models	--	--	190		
	28SQBS300 models	--	--	450		
Over-Voltage Lockout Turn ON Threshold	28SQBS024W models	36	--	--	VDC	
	28SQBS048W models	75	--	--		
	28SQBS110 models	180	--	--		
	28SQBS300 models	425	--	--		
Input Current	See model selection guide, Standby mode (OFF, UVLO) 8mA					
Enable Function Input	Positive logic	ON	OFF	Open	Short or 0 ~ 1.2	VDC
	Negative logic	ON	OFF	Short or 0 ~ 1.2	Open	VDC

Output Data

Parameter	Notes and Conditions	Min.	Typ.	Max.	Unit
Output Voltage Accuracy	VNOM 50% Load	--		±1.5	%
Line Regulation	Low Line to High Line	--		±0.3	%
Load Regulation	10% to 100% Load	--		±0.5	%
Output Ripple & Noise Voltage	Bandwidth 20MHz and with 10µF MLCC Output Capacitor	--	1.5	--	%Vpk-pk
Temperature Coefficient		--		±0.04	% / °C
Transient Recovery Time	25% load step change	--	800	--	µSec.
Transient Peak Deviation	ΔIo/Δt=2.5A/us	--	±2	--	%Vo
Start-Up Time	When use Enable Function	--	20	--	mSec.
Trimming Output Voltage	VNOM 10% Load	--	±10	--	%
Over Voltage Protection	VNOM 10% Load	--	120	--	%
Output Power Protection	VNOM	--	120	--	%

General Specifications & Environmental Data

Parameter	Notes and Conditions	Min.	Typ.	Max.	Unit
Switching Frequency	VNOM	--	250	--	kHz
Storage Temperature Range	All models	-60	--	125	
Operating Case Temperature	All models	-40	--	100	°C
Over temperature Protection	All models, auto. Recovery	--	105	--	
Isolation Voltage (Input to Output)	All models, 1 Minute	2250	--	--	VDC
Isolation Resistance (Input to Output)	All models, 500VDC, At 70%RH	100	--	--	MΩ
Isolation Capacitance (Input to Output)	All models	--	1500	--	pF
Humidity (non-condensing)	All models	--	--	95	%
Calculated MTBF	BellCore-TR-332@ 50°C G.B	--	1.2	--	M HR
Thermal shock		MIL-STD-810F			
Vibration	Environmental Engineering Experimental Tests	MIL-STD-810F			
Drop		MIL-STD-810F			
Weight	Shape-B (Base Plate) Shape-F (No Flange Base Plate)		57(2.01) 54.5(1.92)		g (oz.)
Dimensions	Shape-B (Base Plate) Shape-F (No Flange Base Plate)	2.38x1.47x0.56" (60.4x37.3x14.2mm) 2.38x1.08x0.56" (60.4x27.4x14.2mm)			
Case Material	Aluminum				
Potting Material	Silicone				

Standards

Parameter	Standard	Test Conditions	Performance Criteria
Environmental Compliance	Reach; RoHS		PASS
EMI	EN55022		Class A / Class B
ESD	EN61000-4-2	±4 kV Air Discharge ±4 kV Contact Discharge	Crit. A
Radiated Immunity	EN61000-4-3	Level 2, 3 V/m	Crit. A
Fast Transient	EN61000-4-4	±2 kV Applied	Crit. A
Surge	EN61000-4-5	±2 kV Applied	Crit. A
Conducted Immunity	EN61000-4-6	Level 2, 3 V rms	Crit. A

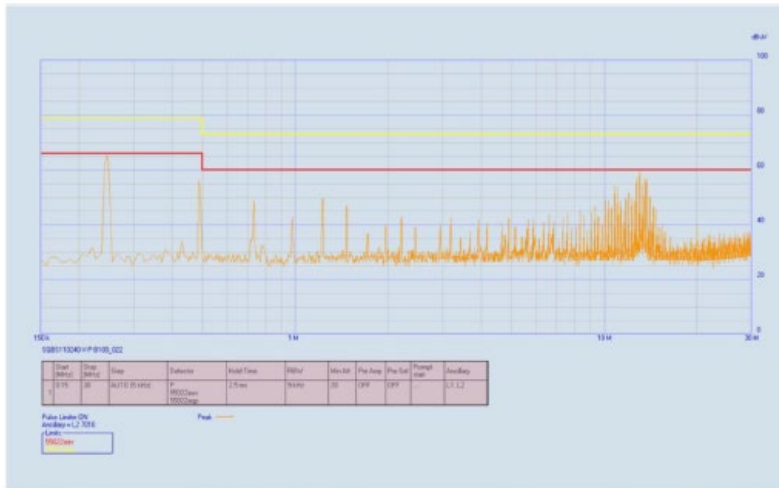
It is recommended to protect the input by fuses or other protection devices.

Modules could meet EN55022 Class A and Class B standard with external components.

The information and specifications contained in this data sheet are believed to be correct at time of publication. All specifications are subject to change without notice. No rights under any patent accompany the sale of any such products or information contained herein.

Conducted EMI

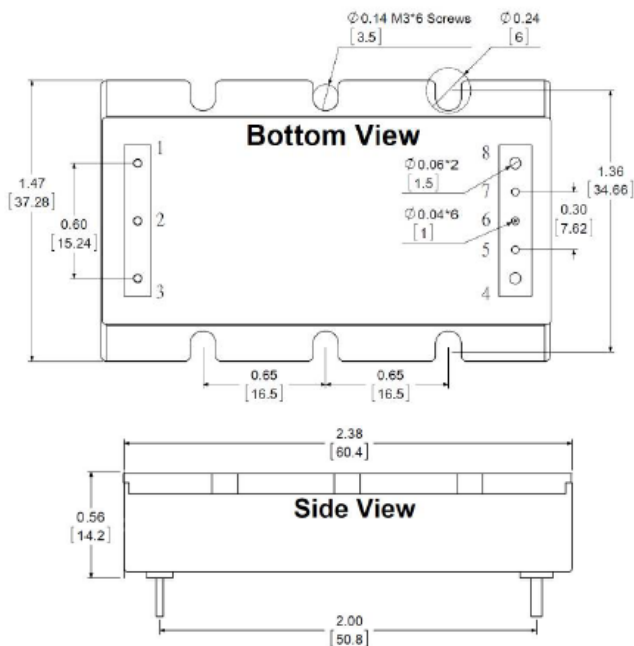
Input terminal value (typ.) SQBS024W120-V-P-B150 @Vin = 18VDC, Iout = 12.5A



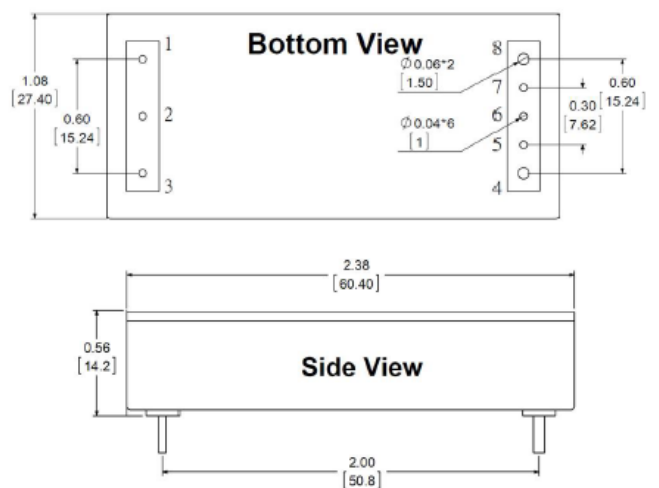
The fundamental switching frequency of the module is 260 kHz.

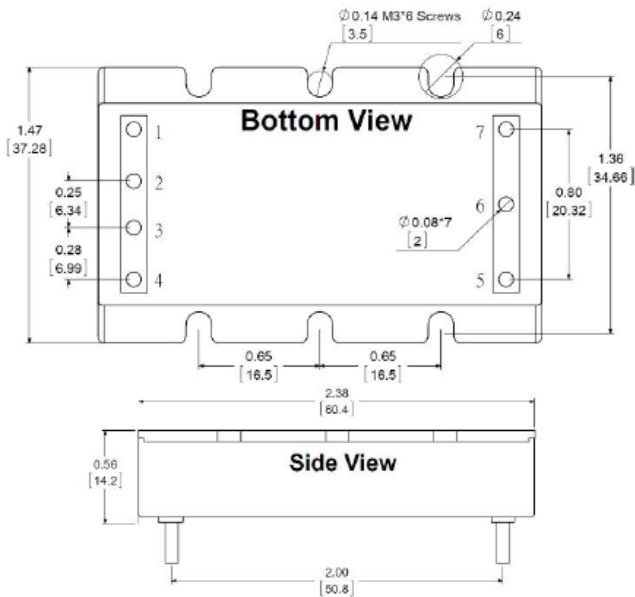
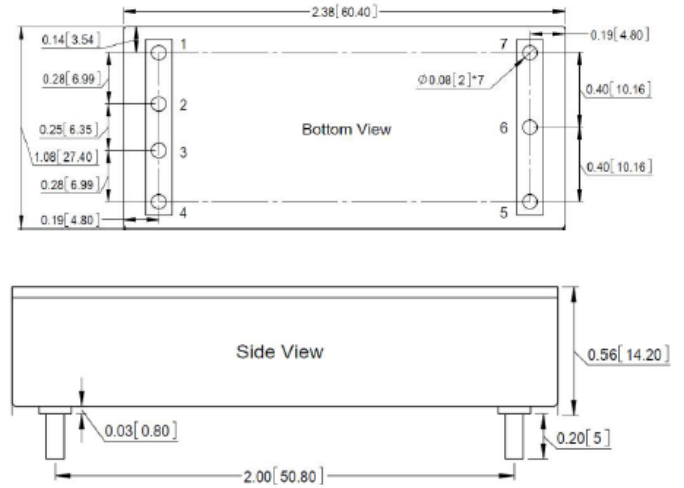
Mechanical Drawing & Pin Assignments

Shape – B (Base Plate with DOSA pinout)



Shape – F (No Flange Base Plate with DOSA pinout)



Mechanical Drawing & Pin Assignments
Shape – B (Base Plate with Vicor pinout)

Shape – F (No Flange Base Plate with Vicor pinout)


Pin#	Dosa	Vicor
1	-Vin	-Vin
2	Enable	NC
3	+Vin	Enable
4	+Vout	+Vin
5	+Sense	+Vout
6	Trim	Trim
7	-Sense	-Vout
8	-Vout	

Characteristic Curves

 Testing conditions are at typical input, $T_a = +25^\circ\text{C}$, full load (horizontal mount) Unless otherwise indicated

The figures of 28SQBS024W240-V-P-B100

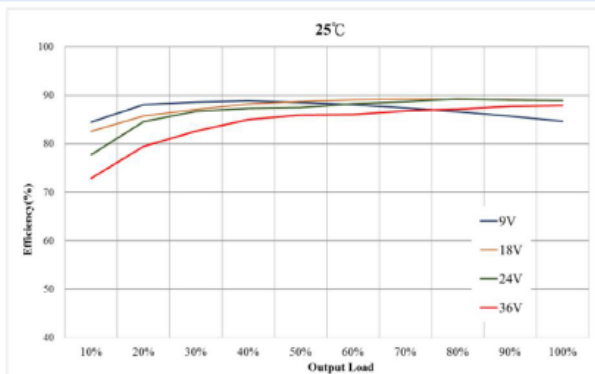


Figure 1 : Efficiency at Minimum, Nominal and Maximum Input Voltages VS. Output Load.

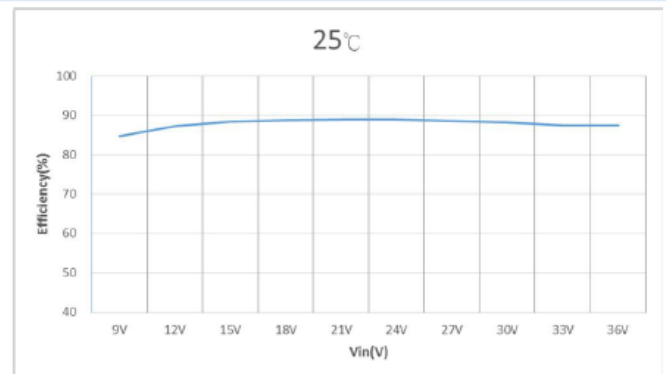


Figure 2 : Efficiency VS. Input Voltages at 100% rated power

Characteristic Curves

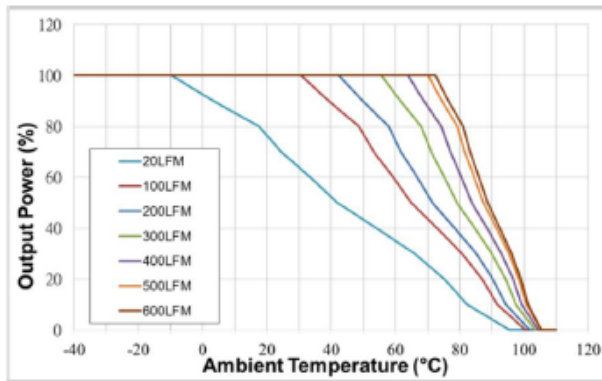


Figure 3 : Ambient Temperature VS. Output Power Derating Curves(Note: 20LFM = Free Air)

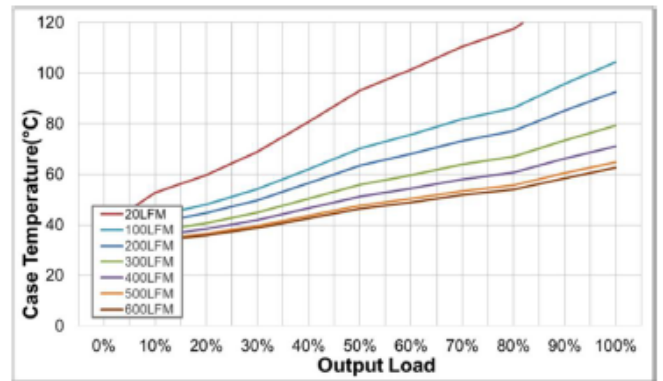


Figure 4 : Case Temperature VS. Output rated Power (Note: 20LFM = Free Air)

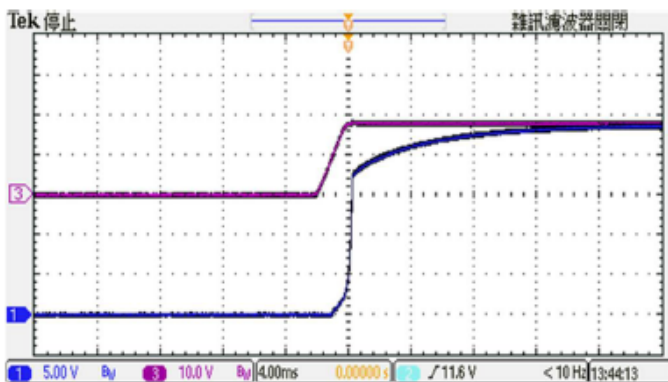


Figure 5 : CH1 = Vout, CH3 = Nominal Input Typical Start-up waveform at Full load.

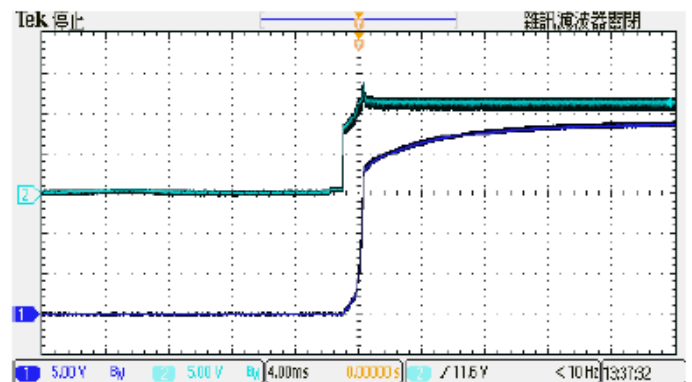


Figure 6 : CH1 = Vout, CH3 = Enable Pin Typical Start-up waveform. Input voltage pre-applied

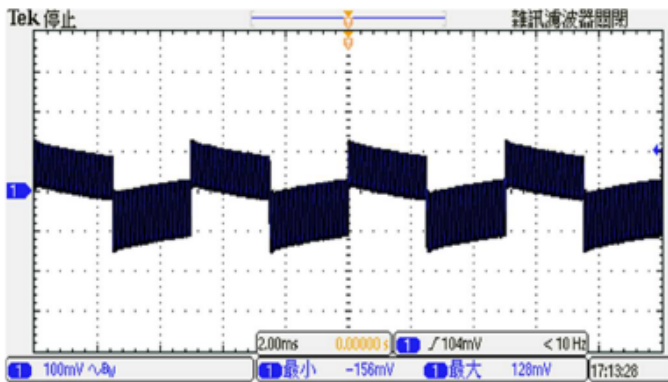


Figure 7 : Transient Response at Output step load (Vin: Typical ,50~75% of output current; $\Delta I_o/\Delta t = 1A/\mu s$)

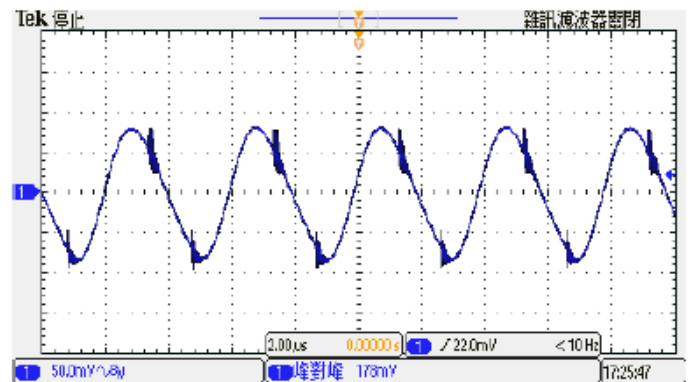


Figure 8 : Output Voltage Ripple & Noise at full load. (Vin: Typical, With Output Capacitor to add 1uF MLCC)

Trimming Output Voltage – Single Models

Only the single output converters have a trim function. That allows users to adjust the output voltage from +10% to -10%, please refer to the trim table that follow for details. Adjustments to the output voltage can be used with a simple fixed resistor as shown in Figures 1 and 2. A single fixed resistor can increase or decrease the output voltage depending on its connection.

Note:

- ✘ Trim adjustments higher than the specified range can have an adverse effect on the converter's performance and are not recommended.
- ✘ If the trim function is not used, leave the trim pin open.

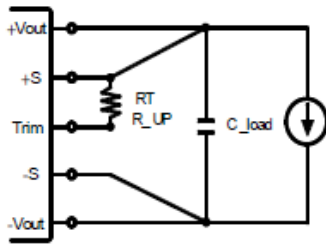


Figure 1. Trim Connections To increase Output Voltages Using Fixed Resistors

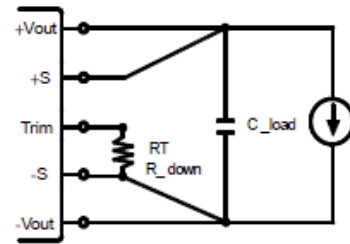


Figure 2. Trim Connections To Decrease Output Voltages Using Fixed Resistors

Vout	Trim up resistor value(KΩ)									
	1%	2%	3%	4%	5%	6%	7%	8%	9%	10%
5	109	50	30	20	14	10	7	5	3.3	2
12	258	115	67	44	29	20	13	7.8	3.8	0.6
24	514	232	137	90	62	43	30	20	12	5.5
28	602	271	161	105	72	50	34	22	13	5.9
48	1039	464	273	177	120	81	54	34	18	5

Vout	Trim down resistor value(KΩ)									
	-1%	-2%	-3%	-4%	-5%	-6%	-7%	-8%	-9%	-10%
5	137	62	37	25	17	12	9	6	4	2.2
12	358	162	96	63	44	31	21	14	8.9	4.5
24	769	352	213	143	102	74	54	39	28	18
28	860	392	236	158	111	80	57	41	28	17
48	1413	638	380	251	173	121	85	57	35	18

Enable Control Function

The primary-side, Enable Control function can be specified to operate with either positive or negative polarity. Positive-polarity devices are enabled when the enable pin is left open or is pulled high. See "Enable Function Input". Positive-polarity devices are disabled when the enable pin is pulled low (under +1.0V with respect to -input). Negative-polarity devices are off when the enable pin is high/open and on when the enable pin is pulled low. See Figure 3.

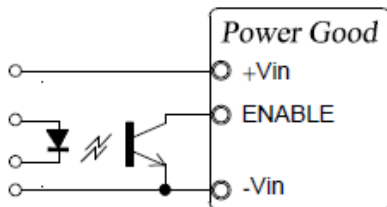


Figure 3. Driving the Enable Control pin

Output Ripple Noise

The two copper strips simulate real-world PCB impedances between the converter and its load. Scope measurements should be made using BNC connectors or the probe ground should be less than 1/2 inch and soldered directly to the fixture. All external capacitors should have appropriate voltage ratings and be located as close to the converter as possible. Temperature variations for all relevant parameters should be taken into consideration. The most effective combination of external I/O capacitors will be a function of line voltage and source impedance, as well as particular load and layout conditions. See Figure 4.

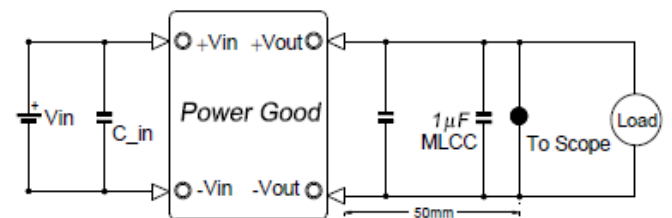
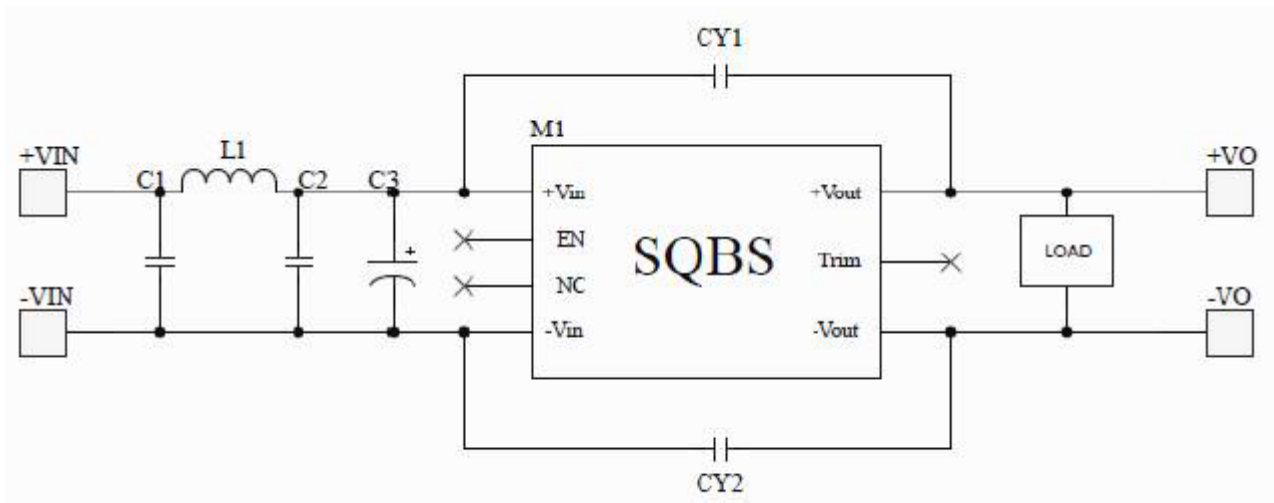


Figure 4. Measuring Output Ripple/Noise(20MHz bandwidth)

Recommended Circuit Diagram

For Conducted EMI Class A



Bill of Materials

Model No.	C1	C2	C3	L1	CY1	CY2
28SQBS018XXX	10 μ F/50V/MLCC	10 μ F/50V/MLCC	470 μ F/50V	NC	NC	3300pF/Y Cap
28SQBS110XXX	1 μ F/250V/MLCC	1 μ F/250V/MLCC	100 μ F/250V	30 μ H	NC	1500pF/Y Cap
28SQBS300XXX	0.1 μ F/630V/MLCC	0.1 μ F/630V/MLCC	100 μ F/450V	420 μ H	1000pF/Y Cap	1500pF/Y Cap

DC - DC